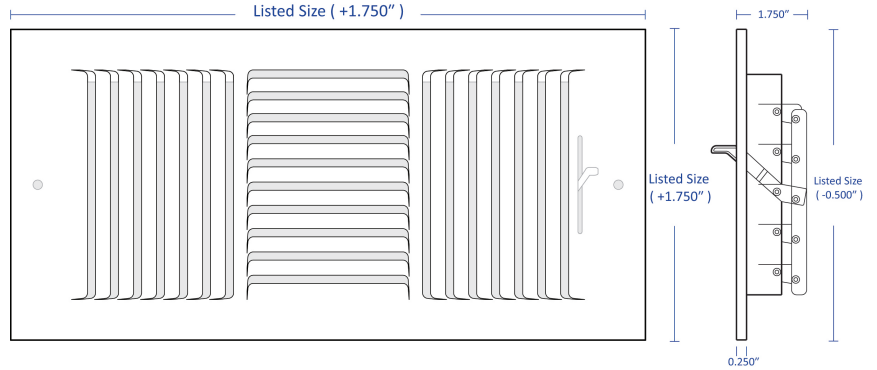
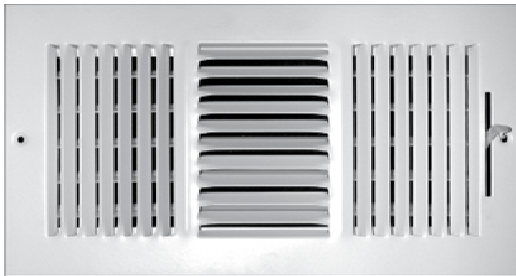


## SUBMITTAL

	Model:	<b>103M</b>
STAMPED FACE	<i>Sidewall-Ceiling Registers</i>	



### Features:

#### Smooth Glide Damper System

- Stamped face in 2-3 or 4-way air pattern 1/2" spaced with 45° blade angle.
- Single lever operated multi-lower shutter construction.
- Counter sunk screw holes with 2" long screws provided.
- Each grille is individually wrapped in pressed cellophane.
- Finished with white powder coating.

- Material :** Cold Rolled Steel
- Face :** One piece stamped, 1/2" center & 45 degree angle of deflection
- Finish:** White Powdercoated
- Packaging :** Individually plastic wrapped
- Size :** Min. 6" x 4"  
Max. 24" x 8"

Project name: _____		Architect: _____
Project Location: _____		Engineer: _____
Contractor: _____		